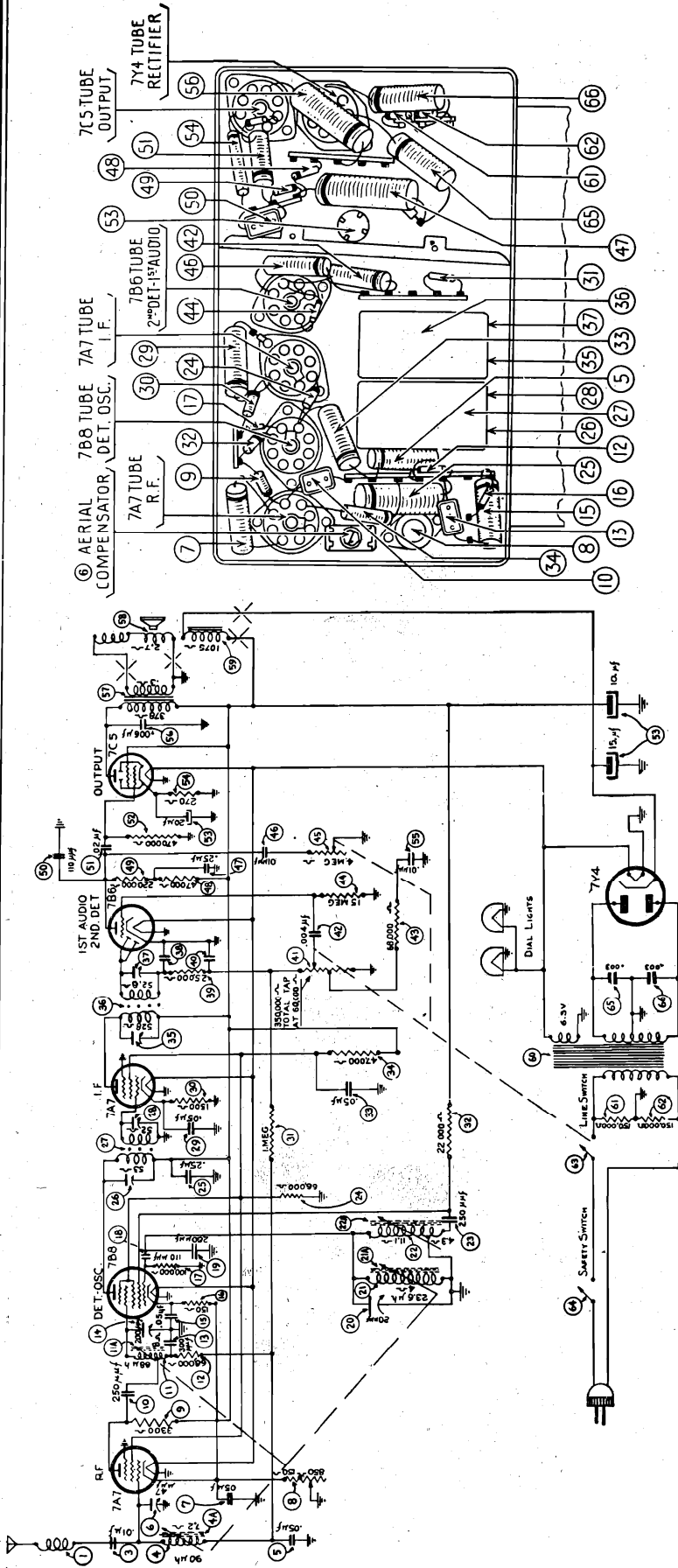


PHILCO RADIO & TELEVISION CORP.



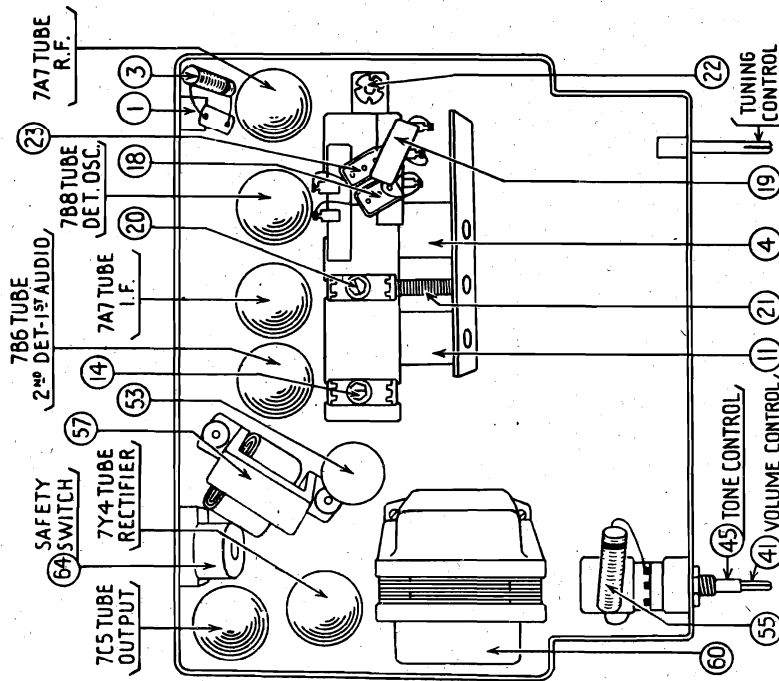
IF PEAK 265 KC

No.	Description	Part No.
(1)	Antenna Choke	65-0168
(2)	Condenser (.01 mfd.)	61-0114
(3)	Antenna Transformer	65-0443
(4)	Antenna Transformer Core	57-2334
(5)	Condenser (.05 mfd.)	61-0111
(6)	Antenna Padder	63-0079
(7)	Sensitivity Control	67-0025
(8)	Resistor (3300 ohms)	33-293334
(9)	Condenser (.250 mmfd.)	80-123157
(10)	R. F. Transformer	65-0444
(11)	R. F. Transformer Core	57-2934
(12)	Resistor (68,000 ohms)	33-368154
(13)	Condenser (300 mmfd.)	60-130127
(14)	R. F. Padder	65-0080
(15)	Condenser (.05 mfd.)	61-0111
(16)	Resistor (150 ohms)	33-115336
(17)	Resistor (100,000 ohms)	33-410154
(18)	Condenser (110 mmfd.)	60-110157
(19)	Condenser (280 mmfd.)	61-0043
(20)	Oscillator Padder	65-0082
(21)	Oscillator Transformer	65-0463
(21a)	Oscillator Trns. Core	57-2633
(22)	Oscillator Tracking Trans.	65-0441
(22a)	Osc. Tracking Trans. Core	57-2925
(23)	Condenser (250 mmfd.)	60-125157
(24)	Resistor (68,000 ohms)	33-368334
(25)	Condenser (.25 mfd.)	61-0125
(26)	Padder (Pri. 1st I. F. Trans.)	65-0460
(27)	First I. F. Transformer	65-0460
(28)	Padder (Sec. 1st I. F. Trans.)	61-0101
(29)	Condenser (.05 mfd.)	33-215334
(30)	Resistor (1500 ohms)	33-510154
(31)	Resistor (1 megohm)	33-392939
(32)	Resistor (22,000 ohms)	61-0114
(33)	Condenser (.05 mfd.)	61-0101
(34)	Resistor (47,000 ohms)	33-347434
(35)	Padder (Pri. 2nd I. F. Trans.)	65-0461
(36)	Second I. F. Transformer	65-0461
(37)	Padder (Sec. 2nd I. F. Trans.)	61-0115
(38)	Condenser (.006 mfd.)	65-0434
(39)	Resistor (25,000 ohms)	33-325154
(40)	Condenser	61-0115
(41)	Volume Control	33-115336
(42)	Resistor (350,000 ohms)	67-0060
(43)	Condenser (.004 mfd.)	61-0179
(44)	Resistor (68,000 ohms)	33-368154
(45)	Resistor (15 megohms)	33-615154
(46)	Tone Control (4 megohms)	67-0060
(47)	Condenser (.01 mfd.)	61-0176
(48)	Osc. Tracking Trans.	65-0441
(49)	Resistor (47,000 ohms)	33-347334
(50)	Condenser (110 mmfd.)	33-422334
(51)	Condenser (.02 mfd.)	61-0116
(52)	Resistor (470,000 ohms)	33-447134
(53)	Filter Condenser	61-0080
(54)	Resistor (270 ohms)	33-127436
(55)	Condenser (.01 mfd.)	61-0114
(56)	Condenser (.006 mfd.)	61-0115
(57)	Output Transformer	65-0434
(58)	Core & Voice Coil	91-0240
(59)	Field Coil	Not Replaceable
(60)	Power Transformer	32-8035
(61)	Resistor (150,000 ohms)	33-415154
(62)	Resistor (150,000 ohms)	33-415154
(63)	On-Off Switch	Part of (41)
(64)	Safety Switch	85-0152
(65)	Condenser (.003)	61-0115
(66)	Speaker	73-0074
(67)	Speaker Cable	41-3610
(68)	Tube Socket	27-6151
(69)	Tuning & Volume Knob	77-1081
(70)	Tone Knob	57-2819F883
(71)	Knob Backing Ring	57-2819FK883
(72)	Pointer Drive Cord	56-2076
(73)	Condenser (110 mmfd.)	90-110157
(74)	Condenser (110 mmfd.)	90-110157
(75)	Condenser (110 mmfd.)	90-110157
(76)	Condenser (110 mmfd.)	90-110157
(77)	Condenser (110 mmfd.)	90-110157
(78)	Condenser (110 mmfd.)	90-110157
(79)	Condenser (110 mmfd.)	90-110157
(80)	Condenser (110 mmfd.)	90-110157
(81)	Condenser (110 mmfd.)	90-110157
(82)	Condenser (110 mmfd.)	90-110157
(83)	Condenser (110 mmfd.)	90-110157
(84)	Condenser (110 mmfd.)	90-110157
(85)	Condenser (110 mmfd.)	90-110157
(86)	Condenser (110 mmfd.)	90-110157
(87)	Condenser (110 mmfd.)	90-110157
(88)	Condenser (110 mmfd.)	90-110157
(89)	Condenser (110 mmfd.)	90-110157
(90)	Condenser (110 mmfd.)	90-110157
(91)	Condenser (110 mmfd.)	90-110157
(92)	Condenser (110 mmfd.)	90-110157
(93)	Condenser (110 mmfd.)	90-110157
(94)	Condenser (110 mmfd.)	90-110157
(95)	Condenser (110 mmfd.)	90-110157
(96)	Condenser (110 mmfd.)	90-110157
(97)	Condenser (110 mmfd.)	90-110157
(98)	Condenser (110 mmfd.)	90-110157
(99)	Condenser (110 mmfd.)	90-110157
(100)	Condenser (110 mmfd.)	90-110157

PARTS LIST MODEL A361

Part No.	Description
28-8853	Pointer Drive Cord
55-1589	Spring
57-2334	Tuning Unit Drive Cord
54-4045	Pulley
28-6886FA3	Pulley Stud
56-6120FA3	Pulley Stud (Single)
56-2532	Pulley Stud (Double)
56-2532	Safety Switch Cover
56-2532	On-Off Switch Cover
I-3199	Power Cord
77-1081	Antenna Lead Assembly
34-2064	Pilot Lamp
55-1591	Diffusion Screen
57-2783	Diffusion Screen Springs
77-1247	Tuning Unit Complete
W-124FA3	Nut (Speaker Mtg.)
W-124FA3	Fibre Washers
27-7467	Screw (Set Mtg.)
W-134FA3	Washer (Set Mtg.)
28-5114FA3	Nut
W-684FA3	Lockwasher
W-1624FE7	(Vol. Control Mtg.)
W-1624FE7	(Vol. Control Mtg.)

PHILCO RADIO & TELEVISION CORP.



control back and forth slightly for maximum output. Then readjust the screw for maximum output. Repeat this procedure until no further improvement can be obtained.

RECEIVER

DIAL SETTING	DUMMY CAPACITY	ADJUST PADDER
Note 2	.1 Mfd.	55 56 57 58 59 60
1600 K.C.	See Note 1	60
1400 K.C.	See Note 1	6 14
590 K.C.	See Note 1	22 Note 3
1600 K.C.	See Note 1	20
1400 K.C.	See Note 1	6

SIGNAL GENERATOR

FREQUENCY	CONNECTION
1 265 K.C.	To Ant. Receptacle on Radio
2 1600 K.C.	To Ant. Receptacle on Radio
3 1400 K.C.	To Ant. Receptacle on Radio
4 590 K.C.	To Ant. Receptacle on Radio
5 1600 K.C.	To Ant. Receptacle on Radio
6 1400 K.C.	To Ant. Receptacle on Radio

EQUIPMENT — 077 or 070 Philco Signal generator, 027 Philco vacuum tube voltmeter and set tester or audio output meter, 45-2610 Padding screw driver.

GENERAL — **VACUUM TUBE VOLTMETER.** The model 027 vacuum tube voltmeter is an extremely sensitive and accurate test instrument and is recommended for use when aligning and adjusting radios. Connect the negative (—) terminal of the Vacuum Tube Voltmeter to the high side (ungrounded side) of the volume control. Connect the positive (+) terminal to the radio housing. Connect the "AC" cord to a 110 volt AC socket. Press the VTVM button and the 10 volt button. Turn the "Set Zero Ohms — VTVM" control clockwise until a click is heard. Allow the tubes to heat up for a few minutes. Short the 150 meg. VTVM terminals and adjust the "Set Zero Ohms VTVM" control until the meter reads zero on the 0-10 range scale (green scale). The needle will deflect from right to left.

AUDIO OUTPUT METER. If an audio output meter is used, connect the leads across the voice coil of the speaker. Use the 0-10 volt scale.

With the Radio and signal generator set up for operation at the prescribed frequency, turn the Radio volume control on full and set the signal generator attenuator so that a half scale reading is obtained on the meter. The signal in the speaker should be audible but not loud.

The shielding on the generator output lead must be connected to the Radio housing.

Make all adjustments for maximum reading on the meter.

NOTE 1 — Connect a 15 mmfd. condenser across the output terminals of the signal generator and a 30 mmfd. condenser in series between the signal generator and the output lead.

NOTE 2 — Turn the tuning control clockwise as far as it will go.

NOTE 3 — Rock the tuning control while adjusting the low frequency screw. Tune the control to the signal and adjust the screw for maximum output. Rotate the tuning